

*Completely flat -- can take up entire area if needed.*

*Recommended area is for logo + award copy only.*

**Take up full space for brackets.**

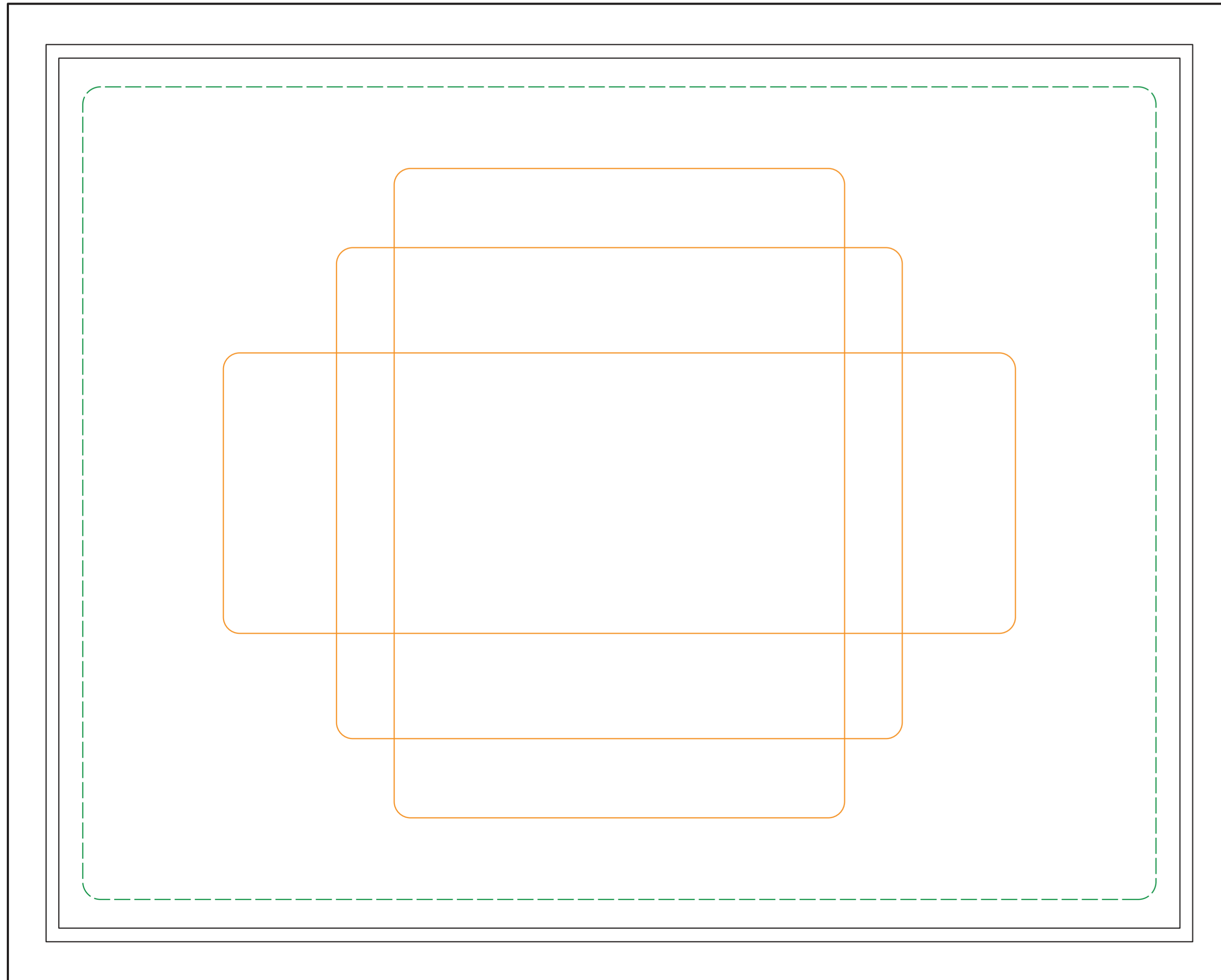
**Size / CS**

**Best:** Etch area

**Max:** Etch area - entire area is engravable but only if needed

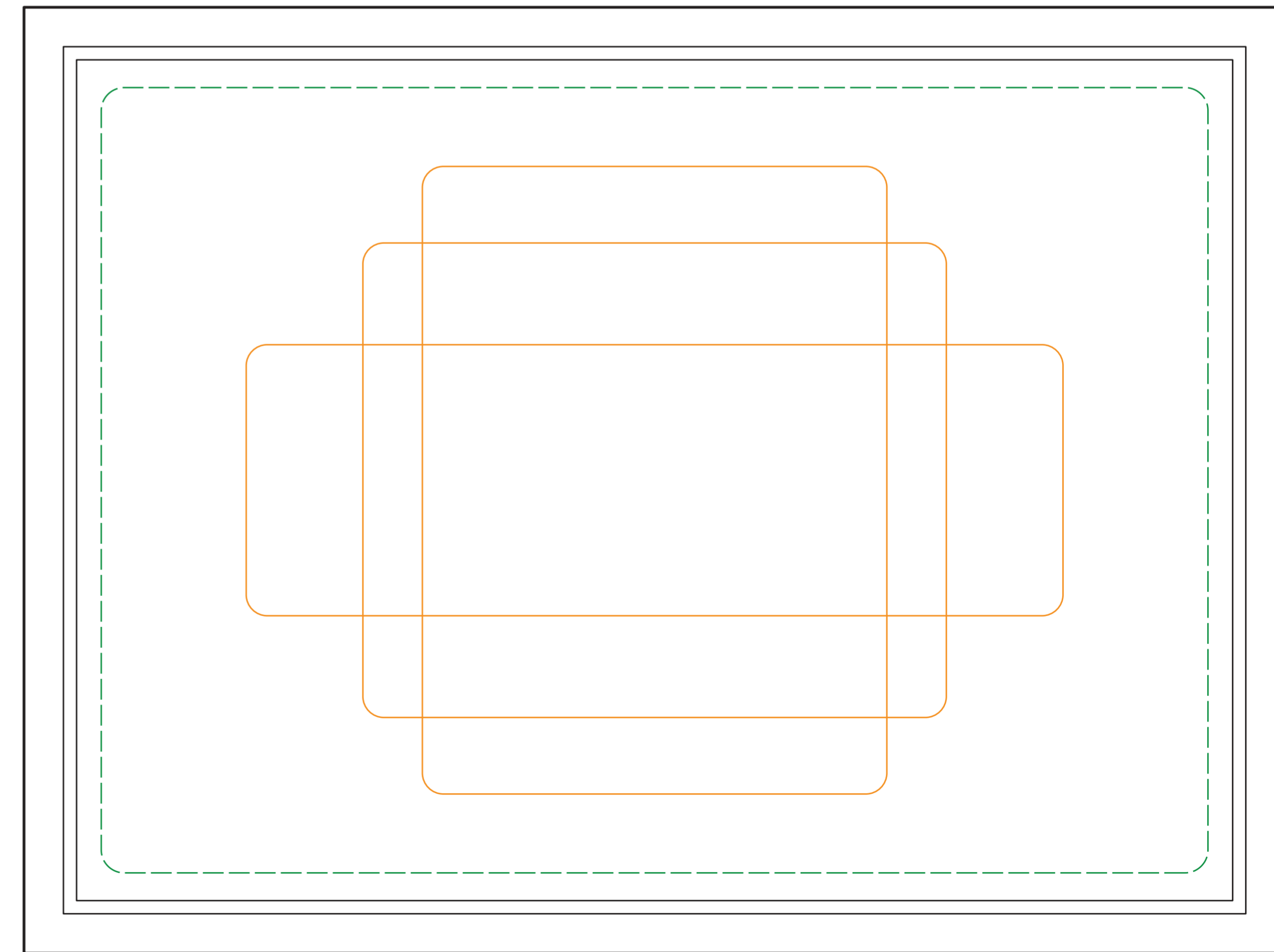
**LASER ENGRAVED**

68-028L Clubhouse Plaque  
Qty: LASER ENGRAVED



68-028L

68-028S Clubhouse Plaque  
Qty: LASER ENGRAVED



68-028S