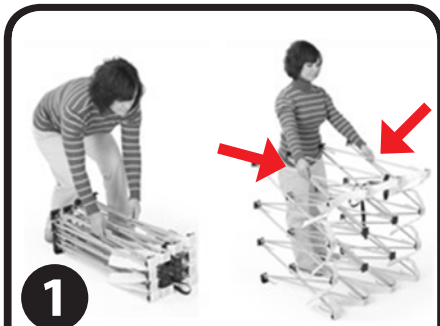


# INSTRUCTIONS

## Spring Wall Curved

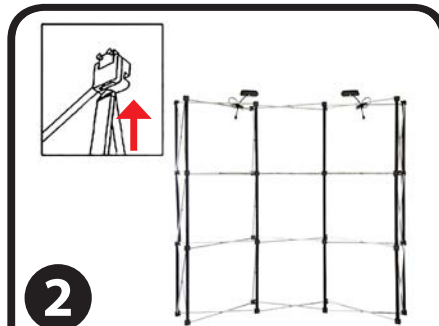


Includes:  
Frame  
Support Bars  
Carry Bag with Wheels  
Graphics



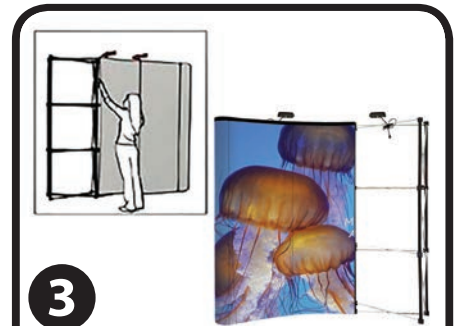
1

Take frame out of bag and expand by pulling on the x joints on either end.



2

Put support bars into frame to lock frame into position. Put the top in first then slightly push to seat bottom into place.



3

Put the graphic panels onto display. First, put top into hanger bar supports. Then split the difference on the magnetic strip on the sides.

